



S-680BT 5-AXIS WIRELESS SHAFT ALIGNMENT SYSTEM

Featuring our Dual-Beam™ PSD Detector Technology and our 5-Axis Wireless Target, the S-680BT offers most of the advanced features of the S-680T but without the extra options for the more budget-minded, high-end user. With the highest accuracy on the market, industry-leading graphics, Duo-Plane™ live move screen, wireless communication and the powerful Couple6 Software, the S-680BT offers the best value in the shaft alignment industry.

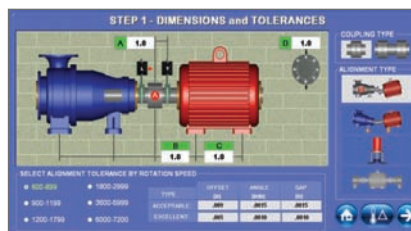


Features

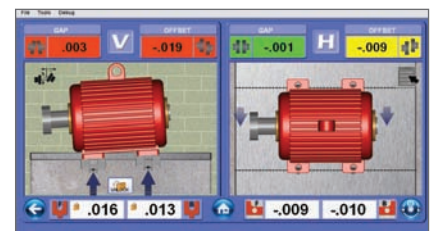
- **Dual-Beam™ Technology** - Our patented technology that allows measurement of center offset and angle simultaneously with one only PSD sensor, reducing measurement errors by 50%.
- **Class I Bluetooth® Wireless Communication** - Sealed inside our IP67 housing, our Bluetooth transmitter has a range from Target to PDA or Tablet of up to 100' (30 M).
- **Super Linear 33x13 mm PSD Detector - 0.5 Micron Resolution** - Laser industry's highest-resolution 2-axis, super-linear PSD sensor, providing 0.5 micron resolution and a measuring area of 33 mm (V) x 13 mm (H), another industry best.
- **15X Higher Accuracy** - Super-linear PSD technology and full linearization has reduced the S-680's error to <0.15%, up to 15x higher than our competitors, giving you the most accurate measurement on the market.
- **4-Axis (2 Plane) Live Move Screens** - Featuring our Duo-Plane™ Move Screen, Couple6 offers 2 simultaneously updating measurement planes (4 axes), allowing horizontal and vertical alignment at the 12:00 position. Dynamic 4-axis motor graphics instantaneously show how much the motor moves as you adjust it.
- **Advanced Software Features** - Includes: thermal growth motor and pump move simulator, coupling-view move screen graphics, 7 spacer shaft formats, the best vertical machine program in the industry, database file management, high resolution motor graphics and much more!
- **Industry's Longest Wireless Battery Life** - Laser and target use the latest in lithium polymer battery technology, which offers the industry's longest battery lives of over 14 hours of continuous use!
- **Auto Sweep™ Simply the Best Data-Taking Method. Period.** Start rotating the shafts and the built-in accelerometer detects the movement, automatically collecting hundreds of data points. Stop rotating the shafts and Couple6 starts calculating the misalignment. More data means more accurate alignment data and less rework.
- **Flip-It™ Screen Graphics** - A very popular feature where double tapping the screen flips the graphics orientation if you are on the wrong side of the machine. No more upside-down displays and mixed-up shims!
- **2 Data-Taking Modes** - S-680BT includes: Auto-Clock™ and Auto Sweep™ data-taking modes for those hard-to-measure applications.
- **Ruggedized Industrial Tablet or Optional Laptop Display** - Locally replaceable Windows®-based tablet or laptop with large touchscreen display, IP65 Rating, 8-hour battery life and Couple6 Software.

Industry-Leading Couple6 Software for Tablets and PC's.

In any alignment system, the hardware is only half the story. The software is the other, more important half because it is the software that you use 95% of the time. So when we designed the Stealth™ Series Couple5 and Couple6 Software, we wrote it with the novice user in mind and created our Easy Guide™ approach to software navigation that makes it so easy to use that it requires little to no training. Easy-to-follow, high quality, color screens lead you through each stage of the alignment, so don't need to constantly refer to "cheat sheets" just to remember how to use it!



Step 1 - Dimensions: Enter dimensions and select tolerances, alignment and coupling types for standard horizontal machines. Click on Thermal Growth screen to dynamically simulate machine movements due to thermal effects on the machine.



Step 5 - Live Move Screen - Motor View: Featuring our Duo-Plane™ display that with the laser at 12:00 shows both vertical and horizontal axes updating simultaneously as the motor is being aligned. When displays turn yellow or green, you're done!



S-680BT 5-AXIS WIRELESS SHAFT ALIGNMENT SYSTEM

Options

Bracket & Chain Sets

- A-980A Chain Bracket Upgrade (6", 12" posts, extra chain)
- A-982 Magnetic Brackets (set of 2)
- T-1285B Outdoor Light Filter
- A-980C Extra Chain Sets 1"-12" Shaft Diameter
- A-980NRA Non-Rotating Shaft Brackets
- A-980NRB Non-Rotating Large Shaft Bracket
- A-980OF Offset Brackets
- A-986 Magnetic Coupling-Flange Slider Bracket

Geo software and accessories.

- L-750 Auto-Rotating Laser with P-R base
- A-987 Flatness Measuring Fixture for T-1285/T-1290 Targets
- S-1388 Plane5 Software

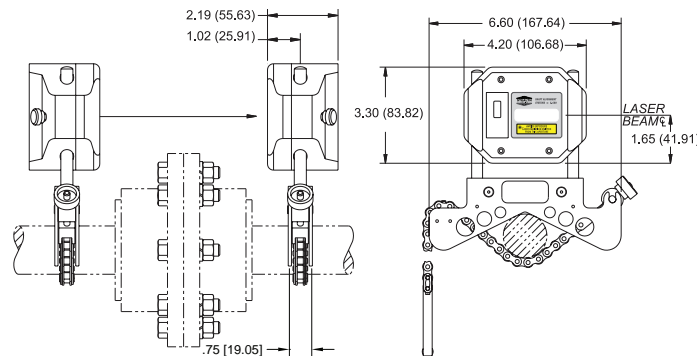
Display Options



R-1342 Ruggedized Laptop
Standard features: Windows® 7, high resolution touch screen, IP 65 environmental, converts to tablet. Runs Couple6 and other HLI programs.



R-1342T Ruggedized Tablet
Standard features Windows® 7, high resolution touch screen and an environmental rating of IP65. Runs Couple6 PC software and other HLI programs.



Standard Software Features

- Auto Sweep™
- Duo-Plane™ Live Move Screen
- Flip-It™ Machine Graphics
- Horizontal/Vertical Machines
- Thermal Growth/Calculator
- Recommended Tolerances
- Soft Foot Shim Calculator
- 7 Spacer Shaft Formats
- 50,000+ Saved Files
- Report Software for PC

Optional Software Features

- Arc Mode™
- Bolt Bound™
- Point Mode
- Uncoupled Mode
- Repeatability/History
- User-Defined Tolerances
- Templates
- Train Alignment Software

| | | | |
|---|---|---|---|
| Laser/Target Unit Size | 4.2" x 3.3" x 2.2" (107 mm x 84 mm x 55 mm) | Environmental | IP 67 (laser & target) IP 65 tablet or laptop |
| Housing Material | Impact resistant plastic | Data Storage Capacity | 50,000+ files, limited only by hard storage capacity |
| Detector Type & Size | 2-axis super-linear PSD 33 mm (v) x 13 mm (h) provides 4 continuously updating alignment axes (2 alignment planes). | Standard Bracket Set | Covers 1" (25.4 mm) to 6" (152.4 mm) diameter shafts. Comes with 4" (101.6 mm), 8" (203.2 mm), 17.25" (438 mm) chains |
| Target Measurement Resolution | Offset: 0.5 micron (.00002") Angular: 0.007 mm/M (.00008 in/ft) | Application Range | 33' (10 M) between laser and target |
| Target Measurement Accuracy | Offset: <0.15% Angular: <0.75% | Operating/Storage Temperature | 5°F to 140°F (-15°C to 60°C) for Laser, Target and PDA |
| Angular Sensor Range | +/- 5° (+/- .085"/inch or 8.5 mm/100 mm) | Battery Life Target | 14 hours continuous use with Bluetooth® — 15 hours with backup cable. Target can be plugged into power source during use. Battery status indicator for both T-1290 Target and PC. |
| Laser Type | 650 nm dual-beam laser with horizontal adjustment <0.9mW | Battery Life Laser | 60+ hours continuous use. Blinking LED indicates low battery status. |
| Communication between Target & Data Analyzer | Wireless Bluetooth® Class 1 2.4 GHz plus backup cable | Battery Life Tablet/PC | 8 hours normal use |
| Wireless Range | Up to 100 feet (30 M) | AC Battery Charger Laser Target & PDA) | 110V to 220V with U.S. and European adapters |
| Ruggedized Display Platform | Laptop or tablet PC | | |
| Rotation Sensor (5th axis) | Accelerometer Resolution: 0.1° Accuracy: +/-1°. Measurement accuracy not affected by rotation sensor accuracy. | | |

Hamar Laser Instruments, Inc.

5 Ye Olde Road, Danbury, CT 06810

Phone: 800.826.6185 • Fax: 203.730.4611 • Int'l: +1.203.730.4660

E-mail: sales@hamarlaser.com • www.hamarlaser.com

